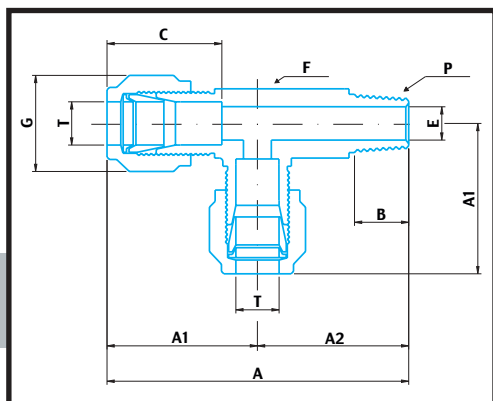


## T MASCHIO LATERALE

## TML

Metric OD tube x Male NPT thread

| T TUBE OD | P NPT MALE | A     | A1   | A2   | B    | C    | E    | F  | G  | PART No.          |
|-----------|------------|-------|------|------|------|------|------|----|----|-------------------|
| 3         | 1/8"       | 41.4  | 23.6 | 17.8 | 9.6  | 12.9 | 2.4  | 11 | 11 | M - 3 - 2 - TML   |
| 3         | 1/4"       | 48.0  | 24.6 | 23.4 | 14.3 | 12.9 | 2.4  | 14 | 11 | M - 3 - 4 - TML   |
| 6         | 1/8"       | 45.8  | 27.0 | 18.8 | 9.6  | 15.3 | 4.8  | 14 | 14 | M - 6 - 2 - TML   |
| 6         | 1/4"       | 50.4  | 27.0 | 23.4 | 14.3 | 15.3 | 4.8  | 14 | 14 | M - 6 - 4 - TML   |
| 6         | 3/8"       | 56.0  | 29.8 | 26.2 | 14.3 | 15.3 | 4.8  | 17 | 14 | M - 6 - 6 - TML   |
| 8         | 1/4"       | 53.2  | 28.8 | 24.4 | 14.3 | 16.2 | 6.3  | 14 | 16 | M - 8 - 4 - TML   |
| 8         | 3/8"       | 56.8  | 30.6 | 26.2 | 14.3 | 16.2 | 6.3  | 17 | 16 | M - 8 - 6 - TML   |
| 8         | 1/2"       | 65.6  | 32.6 | 33.0 | 19.1 | 16.2 | 6.3  | 22 | 16 | M - 8 - 8 - TML   |
| 10        | 1/4"       | 57.7  | 31.5 | 26.2 | 14.3 | 17.2 | 7.1  | 17 | 19 | M - 10 - 4 - TML  |
| 10        | 3/8"       | 57.7  | 31.5 | 26.2 | 14.3 | 17.2 | 7.9  | 17 | 19 | M - 10 - 6 - TML  |
| 10        | 1/2"       | 66.5  | 33.5 | 33.0 | 19.1 | 17.2 | 7.9  | 22 | 19 | M - 10 - 8 - TML  |
| 12        | 1/4"       | 62.2  | 36.0 | 26.2 | 14.3 | 22.8 | 7.1  | 22 | 22 | M - 12 - 4 - TML  |
| 12        | 3/8"       | 62.2  | 36.0 | 28.2 | 14.3 | 22.8 | 9.5  | 22 | 22 | M - 12 - 6 - TML  |
| 12        | 1/2"       | 69.0  | 36.0 | 33.0 | 19.1 | 22.8 | 9.5  | 22 | 22 | M - 12 - 8 - TML  |
| 16        | 1/2"       | 73.1  | 38.0 | 35.1 | 19.1 | 24.4 | 11.9 | 24 | 25 | M - 16 - 8 - TML  |
| 25        | 3/4"       | 90.8  | 49.1 | 41.7 | 19.1 | 31.3 | 15.8 | 35 | 38 | M - 25 - 12 - TML |
| 25        | 1"         | 95.6  | 49.1 | 46.5 | 23.8 | 31.3 | 21.8 | 35 | 38 | M - 25 - 16 - TML |
| 30        | 1.1/4"     | 120.0 | 66.9 | 53.1 | 23.8 | 39.6 | 26.2 | 45 | 50 | M - 30 - 20 - TML |
| 32        | 1.1/4"     | 125.4 | 72.3 | 53.1 | 23.8 | 42.0 | 27.6 | 45 | 50 | M - 32 - 20 - TML |
| 38        | 1.1/2"     | 144.4 | 84.0 | 60.4 | 26.2 | 49.4 | 33.7 | 55 | 60 | M - 38 - 24 - TML |



## T MASCHIO LATERALE

## TML

Inch OD tube x Male NPT thread

| T TUBE OD | P NPT MALE | A     | A1   | A2   | B    | C    | E    | F  | G    | PART No.          |
|-----------|------------|-------|------|------|------|------|------|----|------|-------------------|
| 1/8"      | 1/8"       | 41.4  | 23.6 | 17.8 | 9.6  | 12.7 | 2.4  | 11 | 11   | P - 2 - 2 - TML   |
| 1/8"      | 1/4"       | 48.0  | 24.6 | 23.4 | 14.3 | 12.7 | 2.4  | 14 | 11   | P - 2 - 4 - TML   |
| 1/4"      | 1/8"       | 45.7  | 26.9 | 18.8 | 9.6  | 15.3 | 4.8  | 14 | 14   | P - 4 - 2 - TML   |
| 1/4"      | 1/4"       | 50.3  | 23.4 | 26.9 | 14.3 | 15.3 | 4.8  | 14 | 14   | P - 4 - 4 - TML   |
| 1/4"      | 3/8"       | 55.9  | 29.7 | 26.2 | 14.3 | 15.3 | 4.8  | 17 | 14   | P - 4 - 6 - TML   |
| 1/4"      | 1/2"       | 64.8  | 31.8 | 33.0 | 19.1 | 15.3 | 4.8  | 22 | 14   | P - 4 - 8 - TML   |
| 3/8"      | 1/4"       | 55.9  | 30.5 | 25.4 | 14.3 | 16.8 | 7.1  | 17 | 17   | P - 6 - 4 - TML   |
| 3/8"      | 3/8"       | 57.4  | 31.2 | 26.2 | 14.3 | 16.8 | 7.1  | 17 | 17   | P - 6 - 6 - TML   |
| 3/8"      | 1/2"       | 66.0  | 33.0 | 33.0 | 19.1 | 16.8 | 7.1  | 22 | 17   | P - 6 - 8 - TML   |
| 1/2"      | 1/4"       | 64.2  | 36.0 | 28.2 | 14.3 | 22.9 | 4.8  | 22 | 22   | P - 8 - 4 - TML   |
| 1/2"      | 3/8"       | 64.2  | 36.0 | 28.2 | 14.3 | 22.9 | 9.6  | 22 | 22   | P - 8 - 6 - TML   |
| 1/2"      | 1/2"       | 69.0  | 36.0 | 33.0 | 19.1 | 22.9 | 10.4 | 22 | 22   | P - 8 - 8 - TML   |
| 5/8"      | 1/2"       | 73.1  | 38.1 | 35.0 | 19.1 | 24.4 | 11.9 | 22 | 25   | P - 10 - 8 - TML  |
| 3/4"      | 1/2"       | 76.7  | 39.9 | 36.8 | 19.1 | 24.4 | 11.9 | 27 | 28.5 | P - 12 - 8 - TML  |
| 3/4"      | 3/4"       | 76.7  | 39.9 | 36.8 | 19.1 | 24.4 | 15.8 | 27 | 28.5 | P - 12 - 12 - TML |
| 1"        | 3/4"       | 90.6  | 49.0 | 41.6 | 19.1 | 31.2 | 15.8 | 35 | 38   | P - 16 - 12 - TML |
| 1"        | 1"         | 95.5  | 49.0 | 46.5 | 23.8 | 31.2 | 22.3 | 35 | 38   | P - 16 - 16 - TML |
| 1.1/4"    | 1.1/4"     | 114.1 | 66.5 | 47.6 | 23.8 | 41.2 | 27.6 | 46 | 50   | P - 20 - 20 - TML |
| 1.1/2"    | 1.1/2"     | 138.4 | 78.0 | 60.4 | 26.2 | 50.0 | 34.0 | 55 | 60   | P - 24 - 24 - TML |