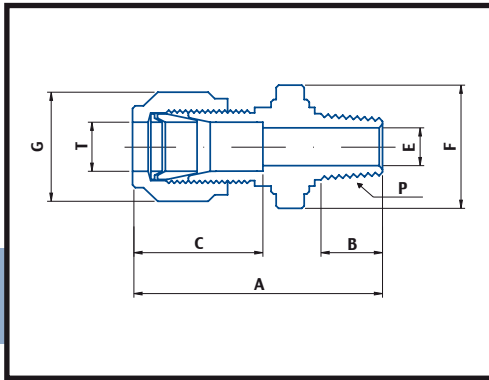


## DIRITTO MASCHIO

## DM

Metric OD tube x Male NPT thread

T TUBE OD	P NPT MALE	A	B	C	E	F	G	PART No.
3	1/8"	30.5	9.6	12.9	2.4	11	11	M - 3 - 2 - DM
3	1/4"	35.6	14.3	12.9	2.4	14	11	M - 3 - 4 - DM
6	1/8"	32.8	9.6	15.3	4.8	14	14	M - 6 - 2 - DM
6	1/4"	37.9	14.3	15.3	4.8	14	14	M - 6 - 4 - DM
6	3/8"	38.4	14.3	15.3	4.8	19	14	M - 6 - 6 - DM
6	1/2"	44.7	19.1	15.3	4.8	22	14	M - 6 - 8 - DM
8	1/8"	34.2	9.6	16.2	4.8	14	16	M - 8 - 2 - DM
8	1/4"	38.7	14.3	16.2	6.3	14	16	M - 8 - 4 - DM
8	3/8"	39.3	14.3	16.2	6.3	19	16	M - 8 - 6 - DM
8	1/2"	45.6	19.1	16.2	6.3	22	16	M - 8 - 8 - DM
10	1/8"	36.3	9.6	17.2	4.8	17	19	M - 10 - 2 - DM
10	1/4"	40.9	14.3	17.2	7.9	19	19	M - 10 - 4 - DM
10	3/8"	40.9	14.3	17.2	7.9	19	19	M - 10 - 6 - DM
10	1/2"	46.5	19.1	17.2	7.9	22	19	M - 10 - 8 - DM
12	1/4"	43.4	14.3	22.8	7.1	22	22	M - 12 - 4 - DM
12	3/8"	43.4	14.3	22.8	9.5	22	22	M - 12 - 6 - DM
12	1/2"	49.0	19.1	22.8	9.5	22	22	M - 12 - 8 - DM
12	3/4"	50.5	19.1	22.8	9.5	27	22	M - 12 - 12 - DM
12	1"	57.1	23.8	22.8	9.5	35	22	M - 12 - 16 - DM
14	1/4"	44.1	14.3	24.4	7.1	24	25	M - 14 - 4 - DM
14	3/8"	44.1	14.3	24.4	9.5	24	25	M - 14 - 6 - DM
14	1/2"	49.0	19.1	24.4	11.1	24	25	M - 14 - 8 - DM
15	1/2"	49.0	19.1	24.4	11.9	24	25	M - 15 - 8 - DM
16	3/8"	44.1	14.3	24.4	9.5	24	25	M - 16 - 6 - DM
16	1/2"	49.0	19.1	24.4	11.9	24	25	M - 16 - 8 - DM
16	3/4"	50.5	19.1	24.4	12.7	27	25	M - 16 - 12 - DM
18	1/2"	50.5	19.1	24.4	11.9	27	30	M - 18 - 8 - DM
18	3/4"	50.5	19.1	24.4	15.1	27	30	M - 18 - 12 - DM
20	1/2"	52.3	19.1	26.0	11.9	30	32	M - 20 - 8 - DM
20	3/4"	52.3	19.1	26.0	15.9	30	32	M - 20 - 12 - DM
22	3/4"	52.3	19.1	26.0	15.9	30	32	M - 22 - 12 - DM
22	1"	57.1	23.8	26.0	18.3	35	32	M - 22 - 16 - DM
25	1/2"	57.5	19.1	31.3	11.9	35	38	M - 25 - 8 - DM
25	3/4"	57.5	19.1	31.3	15.8	35	38	M - 25 - 12 - DM
25	1"	62.3	23.8	31.3	21.8	35	38	M - 25 - 16 - DM
28	1"	72.4	23.8	36.6	21.8	41	46	M - 28 - 16 - DM
28	1.1/4"	73.1	23.8	36.6	21.8	46	46	M - 28 - 20 - DM
30	1.1/4"	77.2	23.8	39.6	26.2	46	50	M - 30 - 20 - DM
32	1.1/4"	79.6	23.8	42.0	28.6	46	50	M - 32 - 20 - DM
38	1.1/2"	96.6	26.2	49.4	33.7	55	60	M - 38 - 20 - DM



## DIRITTO MASCHIO

## DM

Inch OD tube x Male NPT thread

T TUBE OD	P NPT MALE	A	B	C	E	F	G	PART No.
1/16"	1/16"	23.9	9.6	8.6	1.3	8	8	P - 1 - 1 - DM
1/16"	1/8"	26.2	9.6	8.6	1.3	14	8	P - 1 - 2 - DM
1/8"	1/8"	30.5	9.6	12.7	2.4	11	11	P - 2 - 2 - DM
1/8"	1/4"	35.6	14.3	12.7	2.4	14	11	P - 2 - 4 - DM
1/4"	1/8"	32.8	9.6	15.3	4.8	14	14	P - 4 - 2 - DM
1/4"	1/4"	37.8	14.3	15.3	4.8	14	14	P - 4 - 4 - DM
1/4"	3/8"	38.4	14.3	15.3	4.8	19	14	P - 4 - 6 - DM
1/4"	1/2"	44.7	19.1	15.3	4.8	22	14	P - 4 - 8 - DM
5/16"	1/4"	38.6	14.3	16.3	6.3	14	16	P - 5 - 4 - DM
3/8"	1/8"	35.3	9.6	16.8	4.8	16	17	P - 6 - 2 - DM
3/8"	1/4"	39.8	14.3	16.8	7.1	16	17	P - 6 - 4 - DM
3/8"	3/8"	39.8	14.3	16.8	7.1	19	17	P - 6 - 6 - DM
3/8"	1/2"	41.2	19.1	16.8	7.1	22	17	P - 6 - 8 - DM
1/2"	1/4"	43.4	14.3	22.9	7.1	22	22	P - 8 - 4 - DM
1/2"	3/8"	43.4	14.3	22.9	9.6	22	22	P - 8 - 6 - DM
1/2"	1/2"	49.0	19.1	22.9	10.4	22	22	P - 8 - 8 - DM
1/2"	3/4"	50.5	19.1	22.9	10.4	27	22	P - 8 - 12 - DM
1/2"	1"	57.1	23.8	22.9	10.4	35	22	P - 8 - 16 - DM
5/8"	3/8"	44.2	14.3	24.4	9.6	24	25	P - 10 - 6 - DM
5/8"	1/2"	49.0	19.1	24.4	10.4	24	25	P - 10 - 8 - DM
3/4"	1/2"	50.5	19.1	24.4	10.4	27	28.5	P - 12 - 8 - DM
3/4"	3/4"	50.5	19.1	24.4	15.8	27	28.5	P - 12 - 12 - DM
3/4"	1"	57.1	23.8	24.4	15.8	35	28.5	P - 12 - 16 - DM
7/8"	3/4"	50.5	19.1	26.0	15.8	30	32	P - 14 - 12 - DM
1"	1/2"	57.4	19.1	31.2	10.4	35	38	P - 16 - 8 - DM
1"	3/4"	57.4	19.1	31.2	15.8	35	38	P - 16 - 12 - DM
1"	1"	62.2	23.8	31.2	22.3	35	38	P - 16 - 16 - DM
1.1/4"	1"	77.2	23.8	41.2	22.3	46	50	P - 20 - 16 - DM
1.1/4"	1.1/4"	77.2	23.8	41.2	27.6	46	50	P - 20 - 20 - DM
1.1/2"	1.1/2"	88.9	26.2	50.0	34.0	55	60	P - 24 - 24 - DM