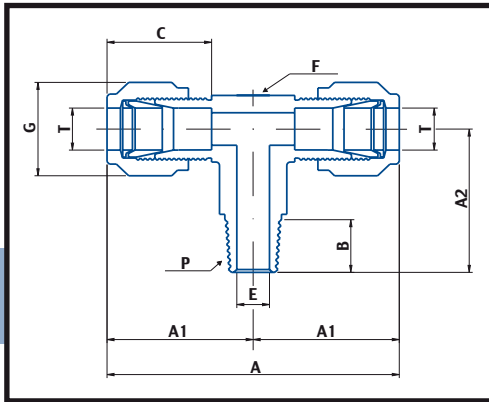


MALE BRANCH TEE

TMC

Metric OD tube x Male NPT thread

T TUBE OD	P NPT MALE	A	A1	A2	B	C	E	F	G	PART No.
3	1/8"	47.2	23.6	17.8	9.6	12.9	2.4	11	11	M - 3 - 2 - TMC
3	1/4"	49.2	24.6	23.4	14.3	12.9	2.4	14	11	M - 3 - 4 - TMC
6	1/8"	54.0	27.0	18.8	9.6	15.3	4.8	14	14	M - 6 - 2 - TMC
6	1/4"	54.0	27.0	23.4	14.3	15.3	4.8	14	14	M - 6 - 4 - TMC
6	3/8"	59.6	29.8	26.2	14.3	15.3	4.8	17	14	M - 6 - 6 - TMC
8	1/4"	57.6	28.8	24.4	14.3	16.2	6.3	14	16	M - 8 - 4 - TMC
8	3/8"	61.2	30.6	26.2	14.3	16.2	6.3	17	16	M - 8 - 6 - TMC
8	1/2"	65.2	32.6	33.0	19.1	16.2	6.3	22	16	M - 8 - 8 - TMC
10	1/4"	63.0	31.5	36.2	14.3	17.2	7.1	17	19	M - 10 - 4 - TMC
10	3/8"	63.0	31.5	26.2	14.3	17.2	7.9	17	19	M - 10 - 6 - TMC
10	1/2"	67.0	33.5	33.0	19.1	17.2	7.9	22	19	M - 10 - 8 - TMC
12	1/4"	72.0	36.0	26.2	14.3	22.8	7.1	22	22	M - 12 - 4 - TMC
12	3/8"	72.0	36.0	28.2	14.3	22.8	9.5	22	22	M - 12 - 6 - TMC
12	1/2"	72.0	36.0	33.0	19.1	22.8	9.5	22	22	M - 12 - 8 - TMC
16	1/2"	76.0	38.0	35.1	19.1	24.4	11.9	24	25	M - 16 - 8 - TMC
25	3/4"	98.2	49.1	41.7	19.1	31.2	15.8	35	38	M - 25 - 12 - TMC
25	1"	98.2	49.1	46.5	23.8	31.2	21.8	35	38	M - 25 - 16 - TMC
30	1.1/4"	139.8	66.9	53.1	23.8	39.6	26.2	45	50	M - 30 - 20 - TMC
32	1.1/4"	144.6	72.3	53.1	23.8	42.0	27.6	45	50	M - 32 - 20 - TMC
38	1.1/2"	168.0	84.0	60.4	26.2	49.4	33.7	55	60	M - 38 - 24 - TMC



MALE BRANCH TEE

TMC

Inch OD tube x Male NPT thread

T TUBE OD	P NPT MALE	A	A1	A2	B	C	E	F	G	PART No.
1/8"	1/8"	47.2	23.6	17.8	9.6	12.7	2.4	11	11	P - 2 - 2 - TMC
1/8"	1/4"	49.2	24.6	23.4	14.3	12.7	2.4	14	11	P - 2 - 4 - TMC
1/4"	1/8"	53.8	26.9	18.8	9.6	15.3	4.8	14	14	P - 4 - 2 - TMC
1/4"	1/4"	53.8	26.9	23.4	14.3	15.3	4.8	14	14	P - 4 - 4 - TMC
1/4"	3/8"	59.4	29.7	26.2	14.3	15.3	4.8	17	14	P - 4 - 6 - TMC
1/4"	1/2"	63.6	31.8	33.0	19.1	15.3	4.8	22	14	P - 4 - 8 - TMC
3/8"	1/4"	61.0	30.5	25.4	14.3	16.8	7.1	17	17	P - 6 - 4 - TMC
3/8"	3/8"	62.4	31.2	26.2	14.3	16.8	7.1	17	17	P - 6 - 6 - TMC
3/8"	1/2"	66.0	33.0	33.0	19.1	16.8	7.1	22	17	P - 6 - 8 - TMC
1/2"	1/4"	72.0	36.0	28.2	14.3	22.9	4.8	22	22	P - 8 - 4 - TMC
1/2"	3/8"	72.0	36.0	28.2	14.3	22.9	9.6	22	22	P - 8 - 6 - TMC
1/2"	1/2"	72.0	36.0	33.0	19.1	22.9	10.4	22	22	P - 8 - 8 - TMC
5/8"	1/2"	76.2	38.1	35.0	19.1	24.4	11.9	22	25	P - 10 - 8 - TMC
3/4"	1/2"	79.8	39.9	36.8	19.1	24.4	11.9	27	28.5	P - 12 - 8 - TMC
3/4"	3/4"	79.8	39.9	36.8	19.1	24.4	15.8	27	28.5	P - 12 - 12 - TMC
1"	3/4"	98.0	49.0	41.6	19.1	31.2	15.8	35	38	P - 16 - 12 - TMC
1"	1"	98.0	49.0	46.5	23.8	31.2	22.3	35	38	P - 16 - 16 - TMC
1.1/4"	1.1/4"	133.0	66.5	47.6	23.8	41.2	27.6	46	50	P - 20 - 20 - TMC
1.1/2"	1.1/2"	156.0	78.0	60.4	26.2	50.0	34.0	55	60	P - 24 - 24 - TMC