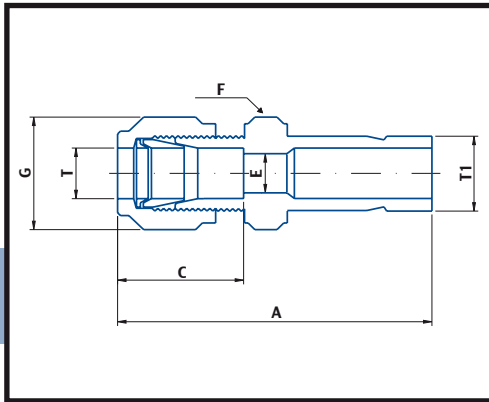


REDUCER

R

Metric OD tube x Metric OD port

T TUBE OD	T1 TUBE OD	A	C	E	F	G	PART No.
3	6	36.1	12.9	2.4	11	11	M - 3 - 6 - R
3	10	38.4	12.9	2.4	14	11	M - 3 - 10 - R
6	3	36.9	15.3	1.8	14	14	M - 6 - 3 - R
6	8	39.9	15.3	4.8	14	14	M - 6 - 8 - R
6	10	40.7	15.3	4.8	14	14	M - 6 - 10 - R
6	12	46.3	15.3	4.8	14	14	M - 6 - 12 - R
8	6	40.3	16.2	4.6	14	16	M - 8 - 6 - R
8	10	42.0	16.2	6.4	14	16	M - 8 - 10 - R
8	12	47.6	16.2	6.4	14	16	M - 8 - 12 - R
10	6	42.4	17.2	4.6	17	17	M - 10 - 6 - R
10	8	43.4	17.2	6.2	17	17	M - 10 - 8 - R
10	12	49.8	17.2	7.9	17	17	M - 10 - 12 - R
12	6	44.9	22.8	4.6	22	22	M - 12 - 6 - R
12	8	45.9	22.8	6.2	22	22	M - 12 - 8 - R
12	10	46.7	22.8	7.7	22	22	M - 12 - 10 - R
12	16	53.8	22.8	9.5	22	22	M - 12 - 16 - R
12	20	56.1	22.8	9.5	22	22	M - 12 - 20 - R
12	22	56.1	22.8	9.5	24	22	M - 12 - 22 - R
12	25	62.4	22.8	9.5	27	22	M - 12 - 25 - R
16	12	53.0	24.4	9.1	24	25	M - 16 - 12 - R
18	12	54.6	24.4	9.1	27	30	M - 18 - 12 - R
18	16	56.1	24.4	12.7	27	30	M - 18 - 16 - R
20	16	57.9	26.0	12.7	30	32	M - 20 - 16 - R
20	25	64.2	26.0	15.8	30	32	M - 20 - 25 - R
22	20	59.4	26.0	15.1	30	32	M - 22 - 20 - R
22	25	64.2	26.0	18.3	30	32	M - 22 - 25 - R
25	18	63.1	31.2	13.9	35	38	M - 25 - 18 - R
25	20	64.6	31.2	15.1	35	38	M - 25 - 20 - R



REDUCER

R

Inch OD tube x Inch OD port

T TUBE OD	T1 TUBE OD	A	C	E	F	G	PART No.
1/8"	1/8"	33.5	12.7	2.0	11	11	P - 2 - 2 - R
1/8"	1/4"	36.0	12.7	4.8	11	11	P - 2 - 4 - R
1/4"	1/8"	36.8	15.3	2.0	14	14	P - 4 - 2 - R
1/4"	1/4"	39.1	15.3	4.8	14	14	P - 4 - 4 - R
1/4"	3/8"	40.6	15.3	4.8	14	14	P - 4 - 6 - R
1/4"	1/2"	46.3	15.3	4.8	14	14	P - 4 - 8 - R
5/16"	3/8"	41.9	16.3	6.3	14	16	P - 5 - 6 - R
5/16"	1/2"	46.5	16.3	6.3	14	16	P - 5 - 8 - R
3/8"	1/4"	41.4	16.8	7.1	16	17	P - 6 - 4 - R
3/8"	3/8"	43.2	16.8	7.1	16	17	P - 6 - 6 - R
3/8"	1/2"	48.5	16.8	7.1	16	17	P - 6 - 8 - R
1/2"	1/4"	45.0	22.9	4.8	22	22	P - 8 - 4 - R
1/2"	3/8"	46.7	22.9	7.1	22	22	P - 8 - 6 - R
1/2"	1/2"	52.3	22.9	9.9	22	22	P - 8 - 8 - R
1/2"	3/4"	53.8	22.9	10.4	22	22	P - 8 - 12 - R
1/2"	1"	60.2	22.9	10.4	22	22	P - 8 - 16 - R
5/8"	3/4"	54.6	24.4	12.7	24	25	P - 10 - 12 - R
5/8"	7/8"	56.2	24.4	12.7	24	25	P - 10 - 14 - R
3/4"	1/2"	54.6	24.4	9.9	27	28.5	P - 12 - 8 - R
3/4"	1"	62.5	24.4	15.8	27	28.5	P - 12 - 16 - R
1"	1.1/4"	80.5	31.2	22.3	35	38	P - 16 - 20 - R
1"	1.1/2"	89.2	31.2	22.3	41	38	P - 16 - 24 - R