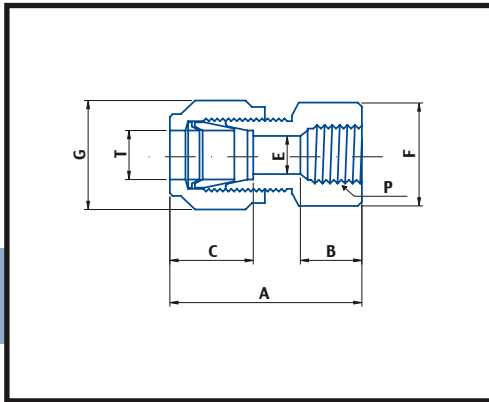


FEMALE CONNECTOR

DF

Metric OD tube x Female NPT thread

T TUBE OD	P NPT FEMALE	A	B	C	E	F	G	PART No.
3	1/8"	28.7	10.4	12.9	2.4	14	11	M - 3 - 2 - DF
3	1/4"	33.5	15.0	12.9	2.4	19	11	M - 3 - 4 - DF
6	1/8"	31.3	10.4	15.3	4.8	14	14	M - 6 - 2 - DF
6	1/4"	35.8	15.0	15.3	4.8	19	14	M - 6 - 4 - DF
6	3/8"	37.6	15.0	15.3	4.8	22	14	M - 6 - 6 - DF
6	1/2"	42.5	19.8	15.3	4.8	27	14	M - 6 - 8 - DF
8	1/8"	32.1	10.4	16.2	6.3	14	16	M - 8 - 2 - DF
8	1/4"	37.0	15.0	16.2	6.3	19	16	M - 8 - 4 - DF
8	3/8"	38.5	15.0	16.2	6.3	22	16	M - 8 - 6 - DF
8	1/2"	43.3	19.8	16.2	6.3	27	16	M - 8 - 8 - DF
10	1/4"	37.8	15.0	17.2	7.9	19	19	M - 10 - 4 - DF
10	3/8"	39.4	15.0	17.2	7.9	22	19	M - 10 - 6 - DF
10	1/2"	44.2	19.8	17.2	7.9	27	19	M - 10 - 8 - DF
12	1/4"	40.3	15.0	22.8	9.5	22	22	M - 12 - 4 - DF
12	3/8"	41.9	15.0	22.8	9.5	22	22	M - 12 - 6 - DF
12	1/2"	46.7	19.8	22.8	9.5	27	22	M - 12 - 8 - DF
15	1/2"	46.7	19.8	24.4	11.9	27	25	M - 15 - 8 - DF
16	1/2"	46.9	19.8	24.4	12.7	27	25	M - 16 - 8 - DF
20	1/2"	47.9	19.8	26.0	15.9	30	32	M - 20 - 8 - DF
20	3/4"	49.7	20.6	26.0	15.9	35	32	M - 20 - 12 - DF
22	3/4"	49.7	20.6	26.0	18.3	35	32	M - 22 - 12 - DF
22	1"	57.9	25.4	26.0	18.3	41	32	M - 22 - 16 - DF
25	3/4"	53.4	20.6	31.3	21.8	35	38	M - 25 - 12 - DF
25	1"	62.3	25.4	31.3	21.8	41	38	M - 25 - 16 - DF
32	1.1/4"	74.6	25.4	42.0	27.6	55	50	M - 32 - 20 - DF
38	1.1/2"	83.3	27.6	49.4	34.0	60	60	M - 38 - 24 - DF



FEMALE CONNECTOR

DF

Inch OD tube x Female NPT thread

T TUBE OD	P NPT FEMALE	A	B	C	E	F	G	PART No.
1/16"	1/16"	23.6	9.9	8.6	1.3	11	8	P - 1 - 1 - DF
1/16"	1/8"	24.4	10.4	8.6	1.3	14	8	P - 1 - 2 - DF
1/8"	1/8"	28.7	10.4	12.7	2.4	14	11	P - 2 - 2 - DF
1/8"	1/4"	33.6	15.0	12.7	2.4	19	11	P - 2 - 4 - DF
1/4"	1/8"	31.2	9.9	15.3	4.8	14	14	P - 4 - 2 - DF
1/4"	1/4"	35.8	15.0	15.3	4.8	19	14	P - 4 - 4 - DF
1/4"	3/8"	37.6	15.0	15.3	4.8	22	14	P - 4 - 6 - DF
1/4"	1/2"	42.4	19.8	15.3	4.8	27	14	P - 4 - 8 - DF
5/16"	1/8"	32.0	10.4	16.3	6.3	14	16	P - 5 - 2 - DF
5/16"	1/4"	36.8	15.0	16.3	6.3	19	16	P - 5 - 4 - DF
3/8"	1/8"	32.8	10.4	16.8	7.1	16	17	P - 6 - 2 - DF
3/8"	1/4"	37.6	15.0	16.8	7.1	19	17	P - 6 - 4 - DF
3/8"	3/8"	39.1	15.0	16.8	7.1	22	17	P - 6 - 6 - DF
3/8"	1/2"	43.9	19.8	16.8	7.1	27	17	P - 6 - 8 - DF
1/2"	1/4"	40.4	15.0	22.9	10.4	22	22	P - 8 - 4 - DF
1/2"	3/8"	41.9	15.0	22.9	10.4	22	22	P - 8 - 6 - DF
1/2"	1/2"	46.7	19.8	22.9	10.4	27	22	P - 8 - 8 - DF
1/2"	3/4"	48.3	20.6	22.9	10.4	32	22	P - 8 - 12 - DF
5/8"	3/8"	41.9	15.0	24.4	12.7	24	25	P - 10 - 6 - DF
5/8"	1/2"	46.7	19.8	24.4	12.7	27	25	P - 10 - 8 - DF
3/4"	1/2"	46.7	19.8	24.4	15.8	27	28.5	P - 12 - 8 - DF
3/4"	3/4"	48.3	20.6	24.4	15.8	32	28.5	P - 12 - 12 - DF
7/8"	3/4"	49.8	20.6	25.9	18.3	35	32	P - 14 - 12 - DF
1"	3/4"	53.4	20.6	31.2	22.3	35	38	P - 16 - 12 - DF
1"	1"	62.3	25.4	31.2	22.3	41	38	P - 16 - 16 - DF
1.1/4"	1.1/4"	74.6	25.4	41.2	27.6	55	50	P - 20 - 20 - DF
1.1/2"	1.1/2"	83.3	27.6	50.0	34.0	60	60	P - 24 - 24 - DF