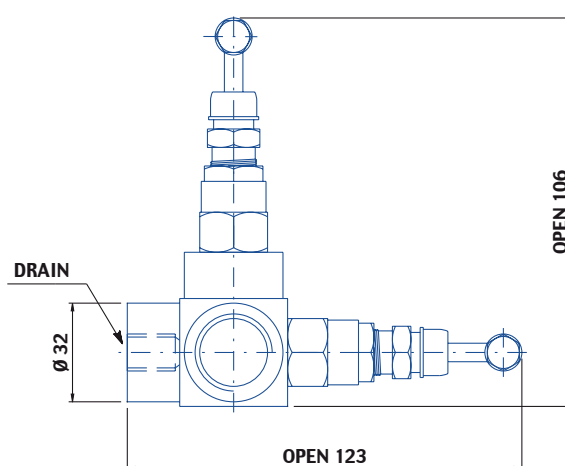
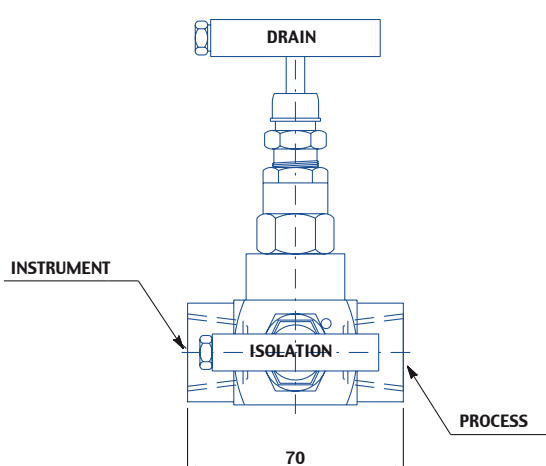


2R4



Description: 2 valves manifold – remote mounting
Descripción: Manifold 2 valvulas – conexiones remota
Description: Manifold 2 vannes – montage à distance

Connections: Process: 1/2" NPT-F
 Instrument: 1/2" NPT-F
 Drain: 1/4" NPT-F + plug

Conexiones: Proceso: 1/2" NPT-F
 Instrumento: 1/2" NPT-F
 Purga: 1/4" NPT-F + tapon

Connections: Process: 1/2" NPT-F
 Instrument: 1/2" NPT-F
 Purga: 1/4" NPT-F + bouchon

Pressure rating:
Presión de servicio: 6000 psi
Pression:

Material:
Material: A105, AISI 316/L, Monel, Hastelloy, ...
Materiaux:

Gland Packing: PTFE (for temperature up to 180 °C)
 Graphoil (for temperature over 180 °C)
Estopada: PTFE (para temperatura hasta 180 °C)
 Graphoil (para temperatura mas de 180 °C)

Guarniture: PTFE (pour temperature jusqu'à 180 °C)
 Graphoil (pour temperature plus de 180 °C)

Model:
Modelo: 2R4
Modèle: